

# Dynamic torque transducer



## Features

Capacity 0.1Nm-500Nm

Carbon brush touchable torque sensor

Max 3000rpm

Stainless steel body

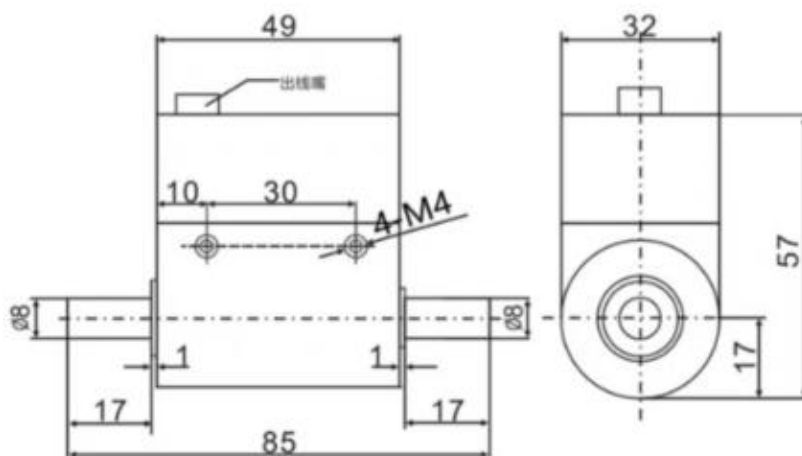
## Optional features

4-20mA, 0-5V, 0-10V output

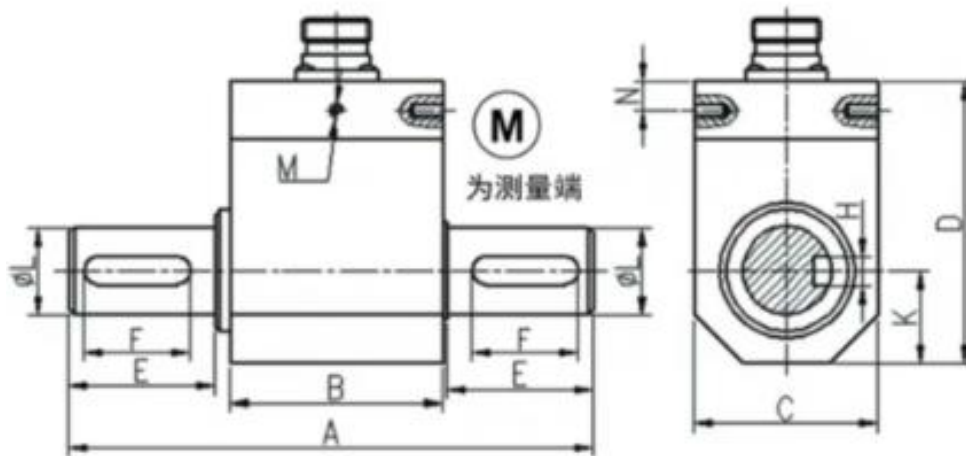
## DESCRIPTION

ZMDN is a high-precision rotary torque sensor. The interior consists of a strain gauge and a contact slip ring. Positive and negative torque signals are output, and the two ends are key links. The maximum speed can reach 3000rpm.

## DIMENSIONS (mm)

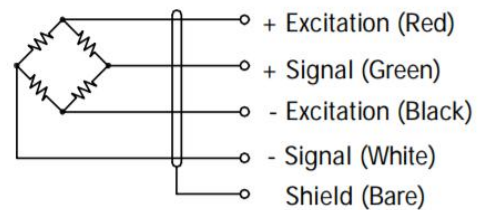


Capacity(N.m) 0.1 0.2 0.3 0.5 1 2 3 5



Capacity (N.m)	A	$\Phi L$	B	C	D	E	F	K	N	M	H
5/10/20/30/50/100	108	18	44	38	58	30	22	19	6	3-M3	6
200/300/500	143	26	56	53	73.5	40	30	27	6	2-M3	8

## Connector



## SPECIFICATIONS

PARAMETER	VALUE	UNIT
Standard capacities (E <sub>max</sub> )	0.1-500	N.m
Rated output-R.O.	1.0-1.5	mV/V
Zero balance	1	±% of rated output
Non linearity	0.1	±% of rated output
Hysteresis	0.1	±% of rated output
Non-repeatability	0.1	±% of rated output
Creep error (30 minutes)	0.03	±% of rated output
Zero return (30 minutes)	0.03	±% of rated output
Temperature effect on min. dead load output	0.0026	±% of rated output/°C

<b>Temperature effect on sensitivity</b>	0.0015	±% of rated output/°C
<b>Compensated temperature range</b>	-10 to +40	°C
<b>Operating temperature range</b>	-20 to +60	°C
<b>Safe overload</b>	150	% of R.C
<b>Ultimate overload</b>	200	% of R.C
<b>Excitation, recommended</b>	10	Vdc
<b>Excitation, maximum</b>	15	Vdc
<b>Input resistance</b>	360±10	Ohms
<b>Output resistance</b>	350±3	Ohms
<b>Insulation resistance</b>	5000	Mega-Ohms
<b>Material</b>	Stainless steel	
<b>Protection class</b>	IP66	

All specifications listed subject to change without notice.