

# Flange compression load cell



## Features

- Capacity 300KN-5000KN
- Inner column type structure
- Easy installation
- Nickel plated alloy steel

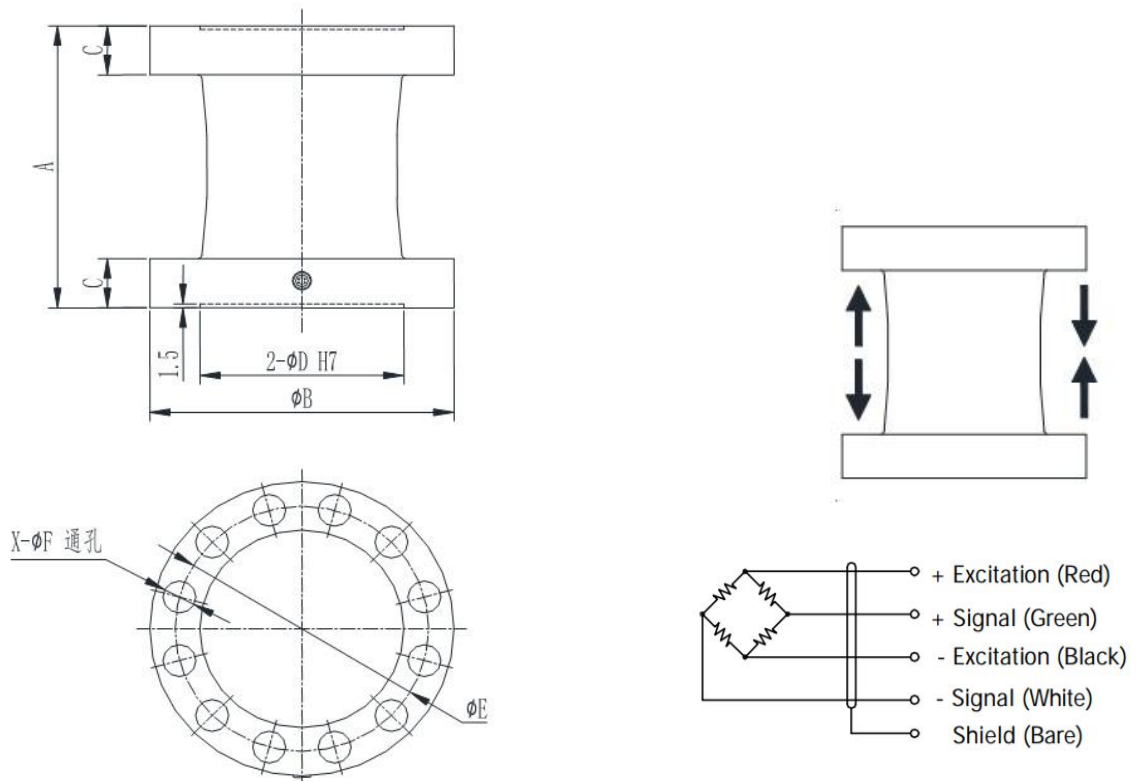
## Optional features

- Stainless steel construction

## DESCRIPTION

The ZMNZT is double flanges type compression load cell, capacity from 300KN up to 5000KN. The strain gauge is attached inside of the body, which gives the load cell good protection and high stability. The load cell is widely used in testing machines and prestress force industrial.

## DIMENSIONS (mm)



	A	ΦB	C	ΦD	ΦE	ΦF
300KN	130	145	22	85	120	12-Φ16
500, 600KN	160	197	25	110	160	12-Φ22
1000KN	230	240	40	135	200	12-Φ26
1500, 2000, 2500KN	326	305	57	160	250	12-Φ32.5
3000KN	358	390	69	265	340	16-Φ32.5
4000KN	300	332	60	135	285	15-Φ32
5000KN	300	420	60	190	370	18-Φ32

## SPECIFICATIONS

PARAMETER	VALUE	UNIT
Standard capacities (E <sub>max</sub> )	300-5000	KN
Rated output-R.O.	2.0	mV/V
Zero balance	1	±% of rated output
Non linearity	0.2	±% of rated output
Hysteresis	0.1	±% of rated output
Non-repeatability	0.1	±% of rated output
Creep error (30 minutes)	0.03	±% of rated output
Zero return (30 minutes)	0.03	±% of rated output
Temperature effect on min. dead load output	0.0026	±% of rated output/°C
Temperature effect on sensitivity	0.0015	±% of rated output/°C
Compensated temperature range	-10 to +40	°C
Operating temperature range	-20 to +60	°C
Safe overload	150	% of R.C
Ultimate overload	200	% of R.C
Excitation, recommended	10	Vdc
Excitation, maximum	15	Vdc
Input resistance	720±20	Ohms
Output resistance	700±3	Ohms
Insulation resistance	5000	Mega-Ohms
Material	Alloy steel	
Protection class	IP67	

All specifications listed subject to change without notice.