

# Aluminum Shear beam load cell



## Features

Capacity 100KG to 700KG

High accuracy

Cost-effective

Aluminum construction

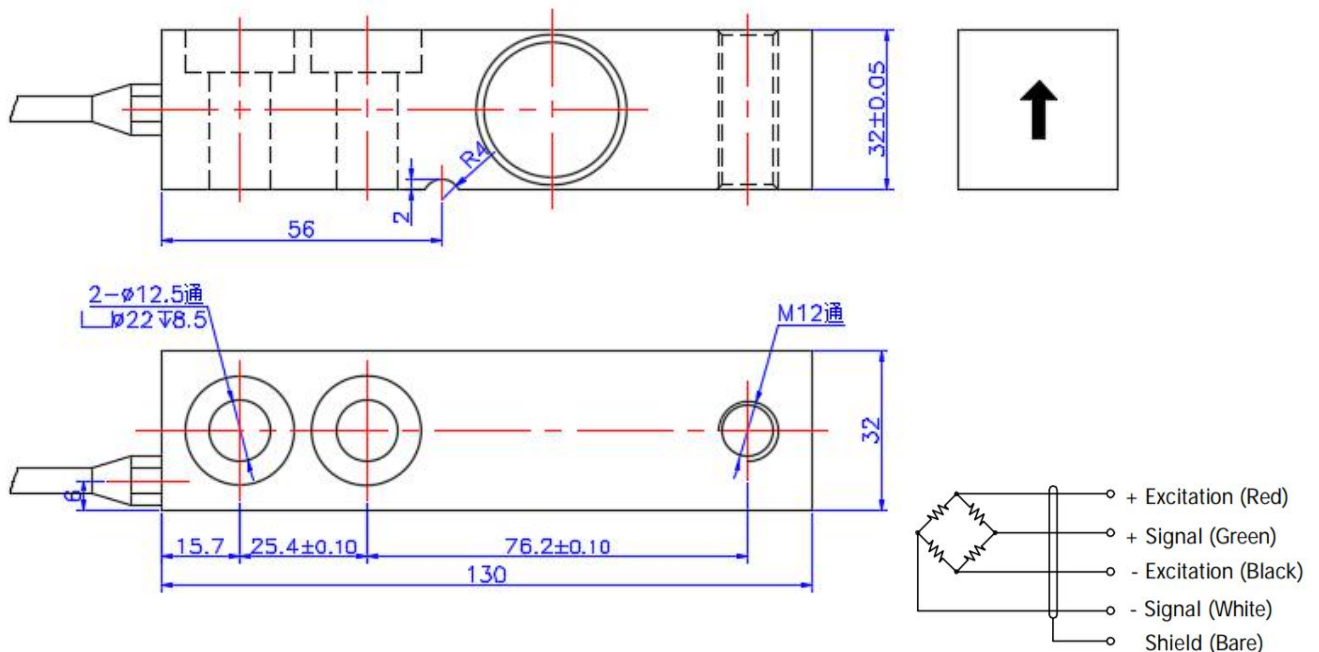
## Optional features

Load foot available

## DESCRIPTION

The ZMLX is a high accuracy, low profile bending beam available in a wide range of capacities. The ZMLX is widely used in platform weighing machines, pallet truck scales, tank and vessel weighing systems, conveyor scales and patient weighing systems such as intensive care beds and wheelchair scales.

## DIMENSIONS (mm)



## SPECIFICATIONS

PARAMETER	VALUE	UNIT
Standard capacities (E <sub>max</sub> )	100-700	KG
Rated output-R.O.	2.0	mV/V
Zero balance	1	±% of rated output
Non linearity	0.03	±% of rated output
Hysteresis	0.03	±% of rated output
Non-repeatability	0.02	±% of rated output
Creep error (30 minutes)	0.03	±% of rated output
Zero return (30 minutes)	0.03	±% of rated output
Temperature effect on min. dead load output	0.0026	±% of rated output/°C
Temperature effect on sensitivity	0.0015	±% of rated output/°C
Compensated temperature range	-10 to +40	°C
Operating temperature range	-20 to +60	°C
Safe overload	150	% of R.C
Ultimate overload	200	% of R.C
Excitation, recommended	10	Vdc
Excitation, maximum	15	Vdc
Input resistance	370±20	Ohms
Output resistance	350±3	Ohms
Insulation resistance	5000	Mega-Ohms
Material	Alloy aluminum	
Protection class	IP67	

All specifications listed subject to change without notice.