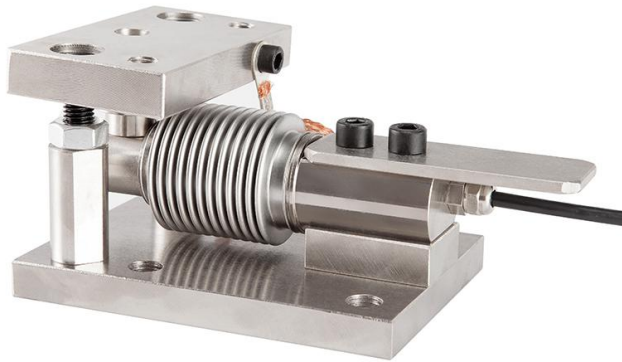


Bending beam load cell mounting kit



Features

Capacity 5kg-500kg

High precision

Easy and fast installation

Nickel plated alloy steel

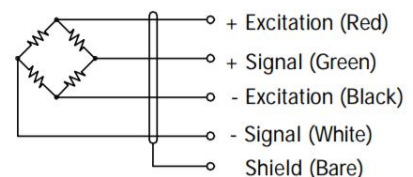
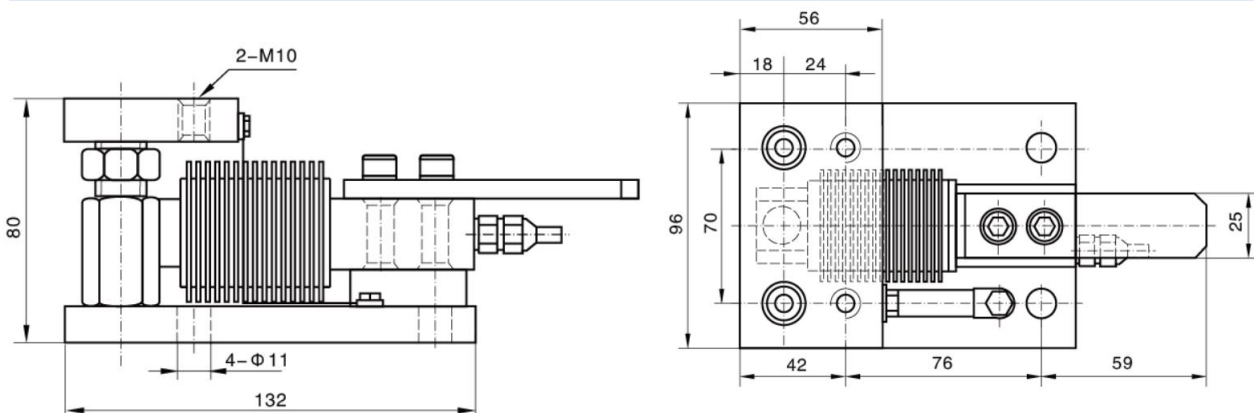
Optional features

Stainless steel construction

DESCRIPTION

The ZMX7 is bending beam load cell mounting kit. The load cell offers fast signalling times and optimal transparency in dosing and weighing processes. With an output signal of 2.0 mV/V, load levels of up to 500kg, accuracy classes up to C3 and high-quality stainless steel, it has a wide range of potential applications.

DIMENSIONS (mm)



SPECIFICATIONS

PARAMETER	VALUE	UNIT
Standard capacities (E _{max})	5-500	KG
Rated output-R.O.	2.0	mV/V
Zero balance	1	±% of rated output
Non linearity	0.03	±% of rated output
Hysteresis	0.02	±% of rated output
Non-repeatability	0.02	±% of rated output
Creep error (30 minutes)	0.03	±% of rated output
Zero return (30 minutes)	0.03	±% of rated output
Temperature effect on min. dead load output	0.0026	±% of rated output/°C
Temperature effect on sensitivity	0.0015	±% of rated output/°C
Compensated temperature range	-10 to +40	°C
Operating temperature range	-20 to +60	°C
Safe overload	150	% of R.C
Ultimate overload	200	% of R.C
Excitation, recommended	10	Vdc
Excitation, maximum	15	Vdc
Input resistance	370±20	Ohms
Output resistance	350±3	Ohms
Insulation resistance	5000	Mega-Ohms
Material	Alloy steel	
Protection class	IP67	

All specifications listed subject to change without notice.