

S type load cell



Features

Capacity 200kg-10t

High accuracy

S beam structure

Nickel plated alloy steel

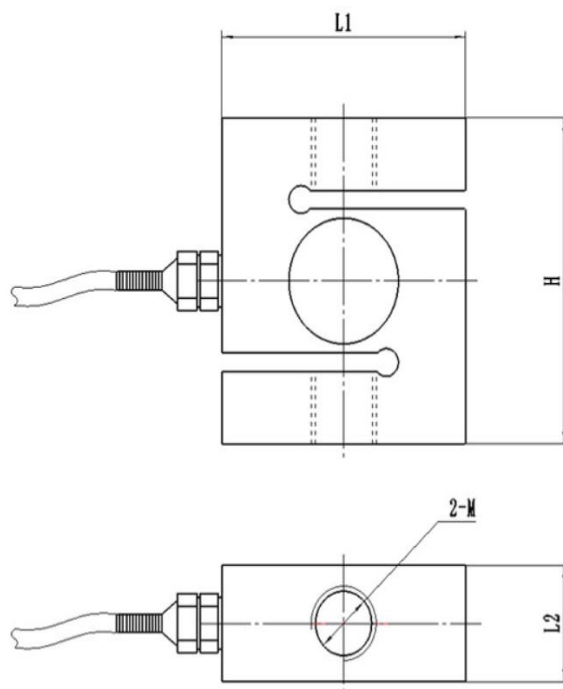
Optional features

Optional output(4-20mA,0-5V)

DESCRIPTION

The ZMSAB S type tension load cell offers a wide range of capacities, extending from 200kg to 10t. Constructed from alloy steel with an electroless nickel-plated surface, it's a robust and reliable choice. We provide optional amplifier which converts analog signal into 4-20mA, 0-5V or 0-10V.

DIMENSIONS (mm)



Wiring diagram

+ Excitation	Red
- Excitation	Black
+ Signal	Green
- Signal	White

	2-M	H	L2	L1
200kg, 300kg	M12×1.75	76	56	19
500kg	M12×1.75	76	56	19
700kg, 1t, 1.2t, 1.5t	M16×2	76	56	25
2t	M16×2	82	56	28
3t, 5t	M24×3	84	76	32
10t	M30×3.5	130	110	46

SPECIFICATIONS

PARAMETER	VALUE	UNIT
Standard capacities (E _{max})	200-10000	KG
Rated output-R.O.	2.0	mV/V
Zero balance	1	±% of rated output
Non linearity	0.03	±% of rated output
Hysteresis	0.03	±% of rated output
Non-repeatability	0.02	±% of rated output
Creep error (30 minutes)	0.02	±% of rated output
Zero return (30 minutes)	0.03	±% of rated output
Temperature effect on min. dead load output	0.0026	±% of rated output/°C
Temperature effect on sensitivity	0.0015	±% of rated output/°C
Compensated temperature range	-10 to +40	°C
Operating temperature range	-20 to +60	°C
Safe overload	150	% of R.C
Ultimate overload	200	% of R.C
Excitation, recommended	10	Vdc
Excitation, maximum	15	Vdc
Input resistance	370±20	Ohms
Output resistance	350±3	Ohms
Insulation resistance	5000	Mega-Ohms
Material	Alloy steel	
Protection class	IP66	

All specifications listed subject to change without notice.