

# Column S type load cell



## Features

Capacity 1KN-200KN

S beam structure with high accuracy

Rational outputs

Nickel plated alloy steel

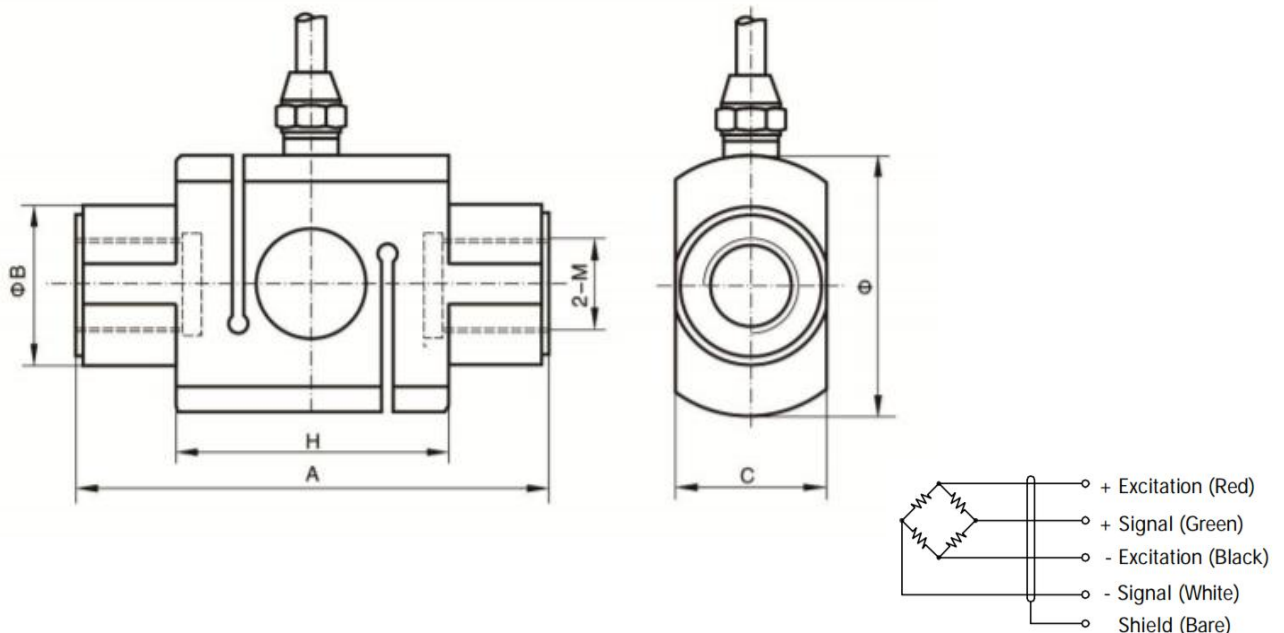
## Optional features

Stainless steel construction

## DESCRIPTION

The ZMZS coulmn S type tension load cell offers a wide range of capacities, extending from 1KN to 200KN. Constructed from alloy steel with an electroless nickel-plated surface, it's a robust and reliable choice. We provide optional amplifier which converts analog sigal into 4-20mA, 0-5V or 0-10V.

## DIMENSIONS (mm)



	A	H	ΦB	Φ	M	C
1-5KN	88	58	28	44	16×1.5	26
7KN	88	58	32	44	16×1.5	30
10-50KN	120	68	51	63	22	48
70-150KN	138	94	65	76	30	62.5
200KN	156	108	68.5	88	36×3	76

## SPECIFICATIONS

PARAMETER	VALUE	UNIT
Standard capacities (E <sub>max</sub> )	1-200	KN
Rated output-R.O.	2.0	mV/V
Zero balance	1	±% of rated output
Non linearity	0.05	±% of rated output
Hysteresis	0.03	±% of rated output
Non-repeatability	0.03	±% of rated output
Creep error (30 minutes)	0.03	±% of rated output
Zero return (30 minutes)	0.03	±% of rated output
Temperature effect on min. dead load output	0.0026	±% of rated output/°C
Temperature effect on sensitivity	0.0015	±% of rated output/°C
Compensated temperature range	-10 to +40	°C
Operating temperature range	-20 to +60	°C
Safe overload	150	% of R.C
Ultimate overload	200	% of R.C
Excitation, recommended	10	Vdc
Excitation, maximum	15	Vdc
Input resistance	360±10	Ohms
Output resistance	350±3	Ohms
Insulation resistance	5000	Mega-Ohms
Material	Alloy steel	
Protection class	IP66	

All specifications listed subject to change without notice.